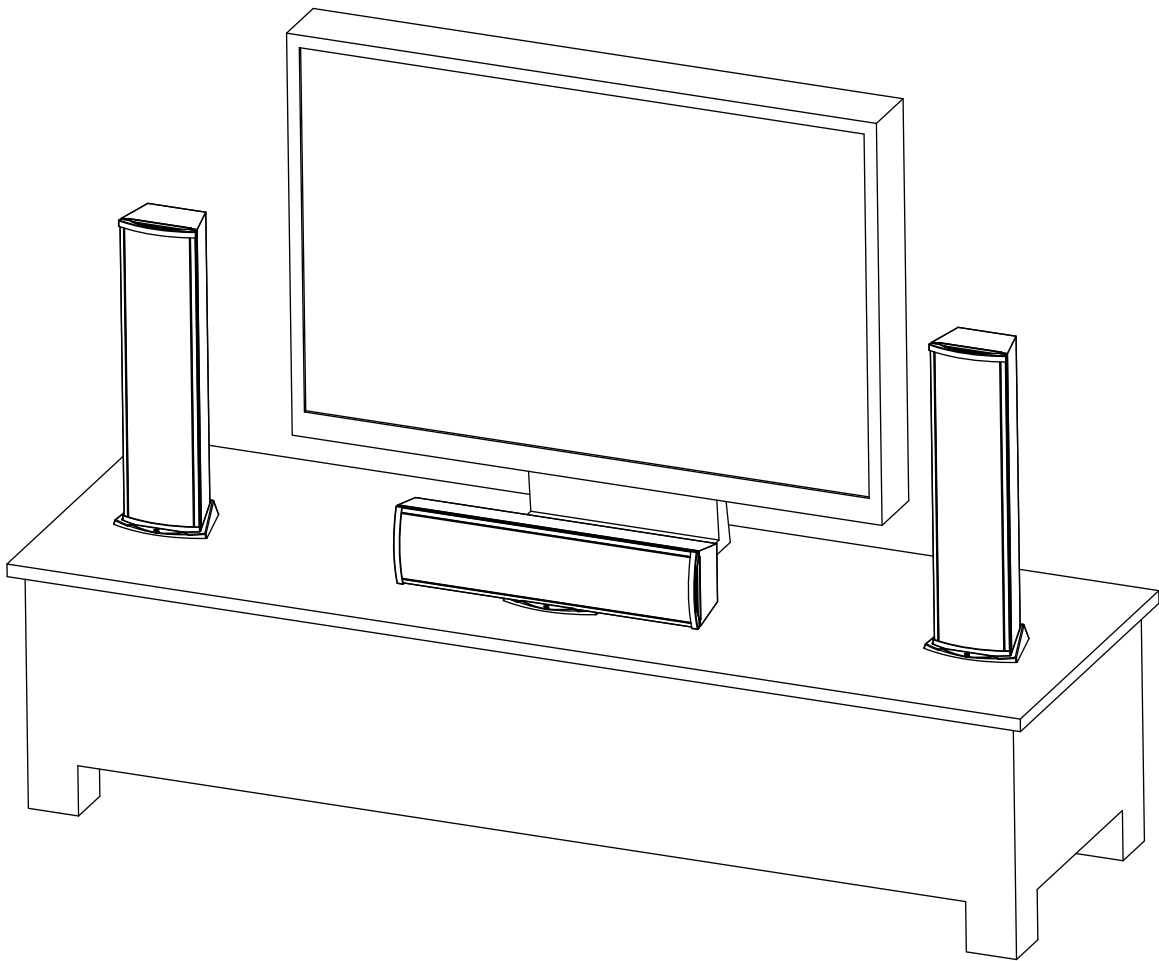
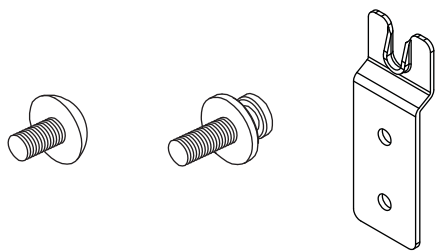


# ENCORE™ T F

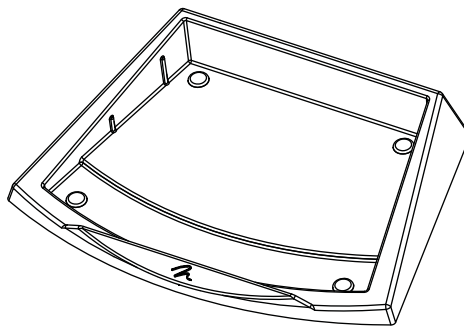


**MARTIN LOGAN**  
DESIGN SERIES

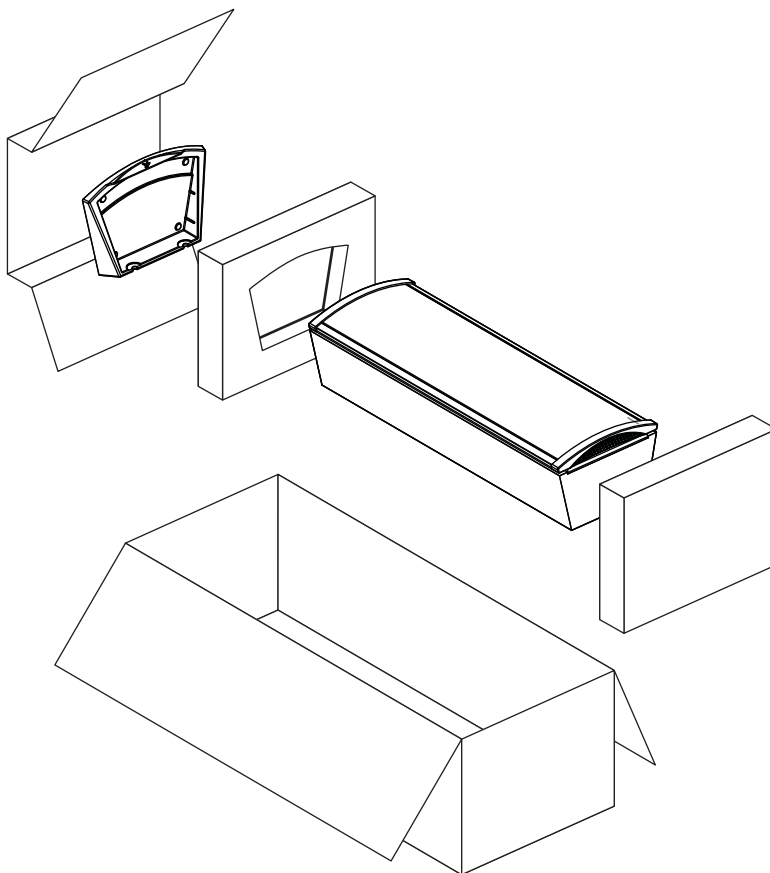
[www.MartinLogan.com](http://www.MartinLogan.com)



**x 2**

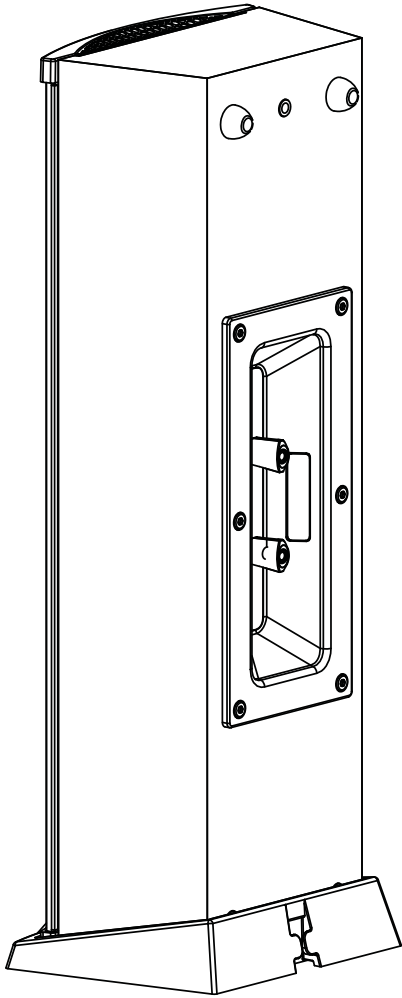
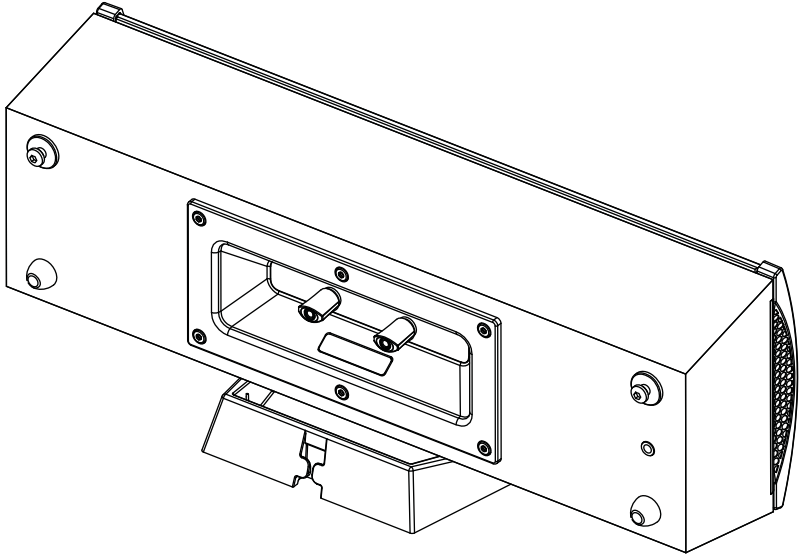
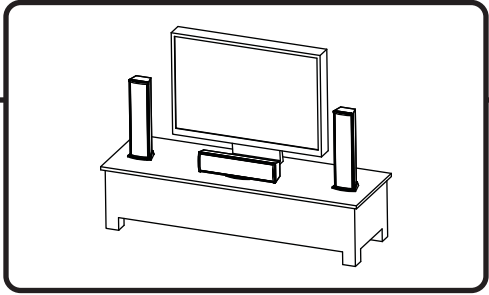


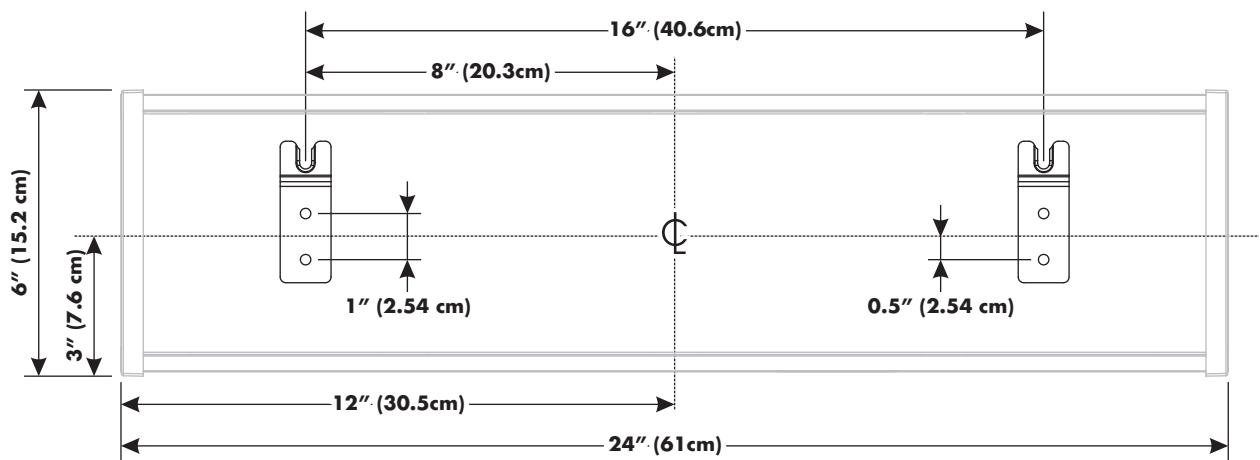
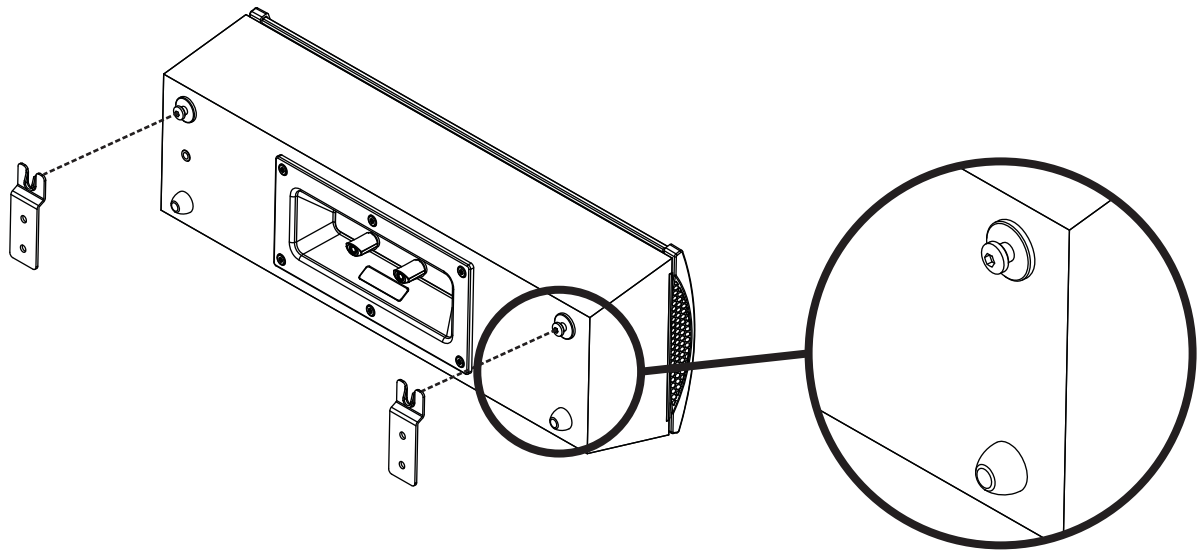
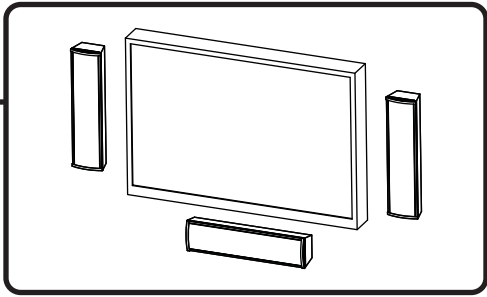
**x 1**

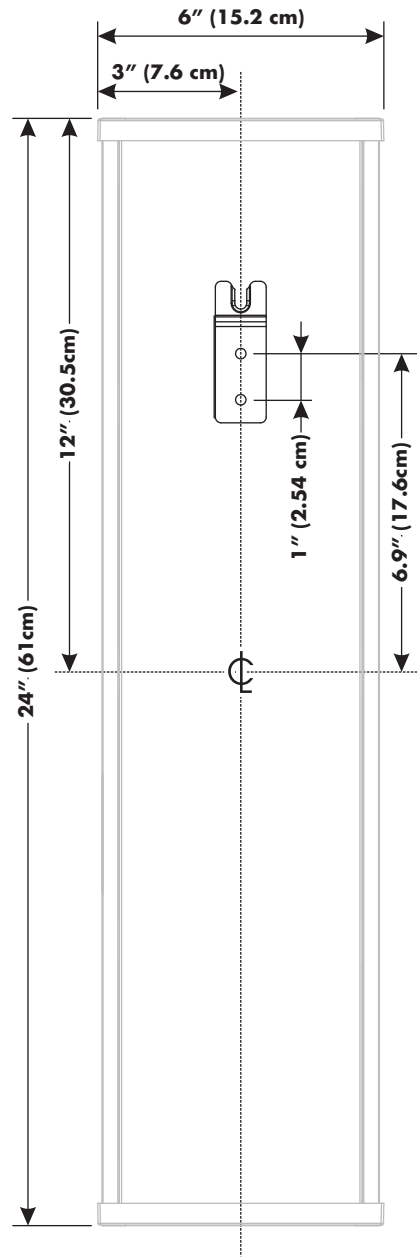
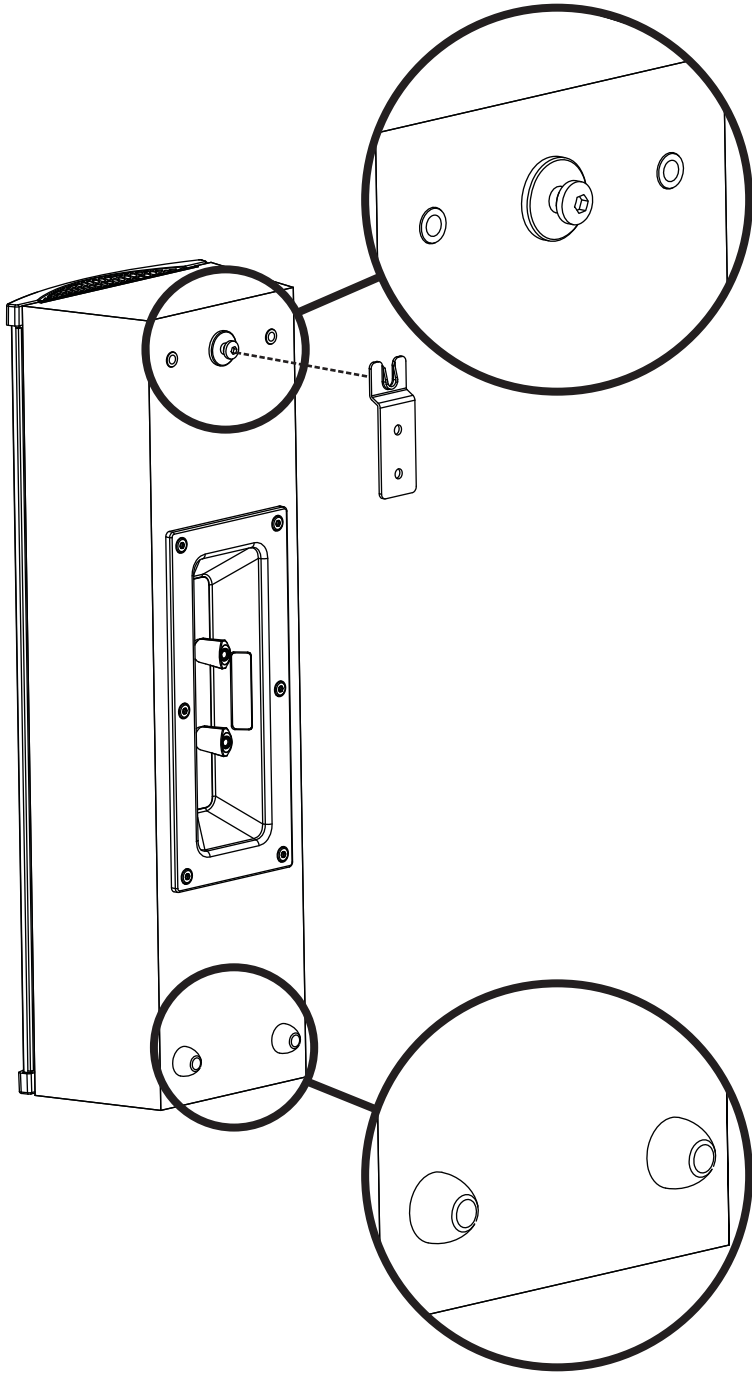
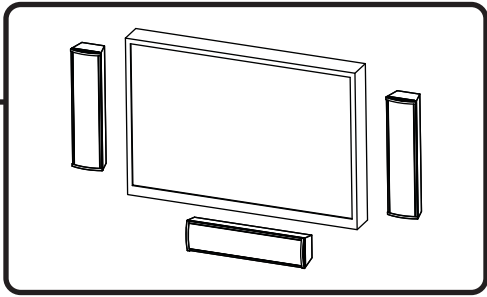


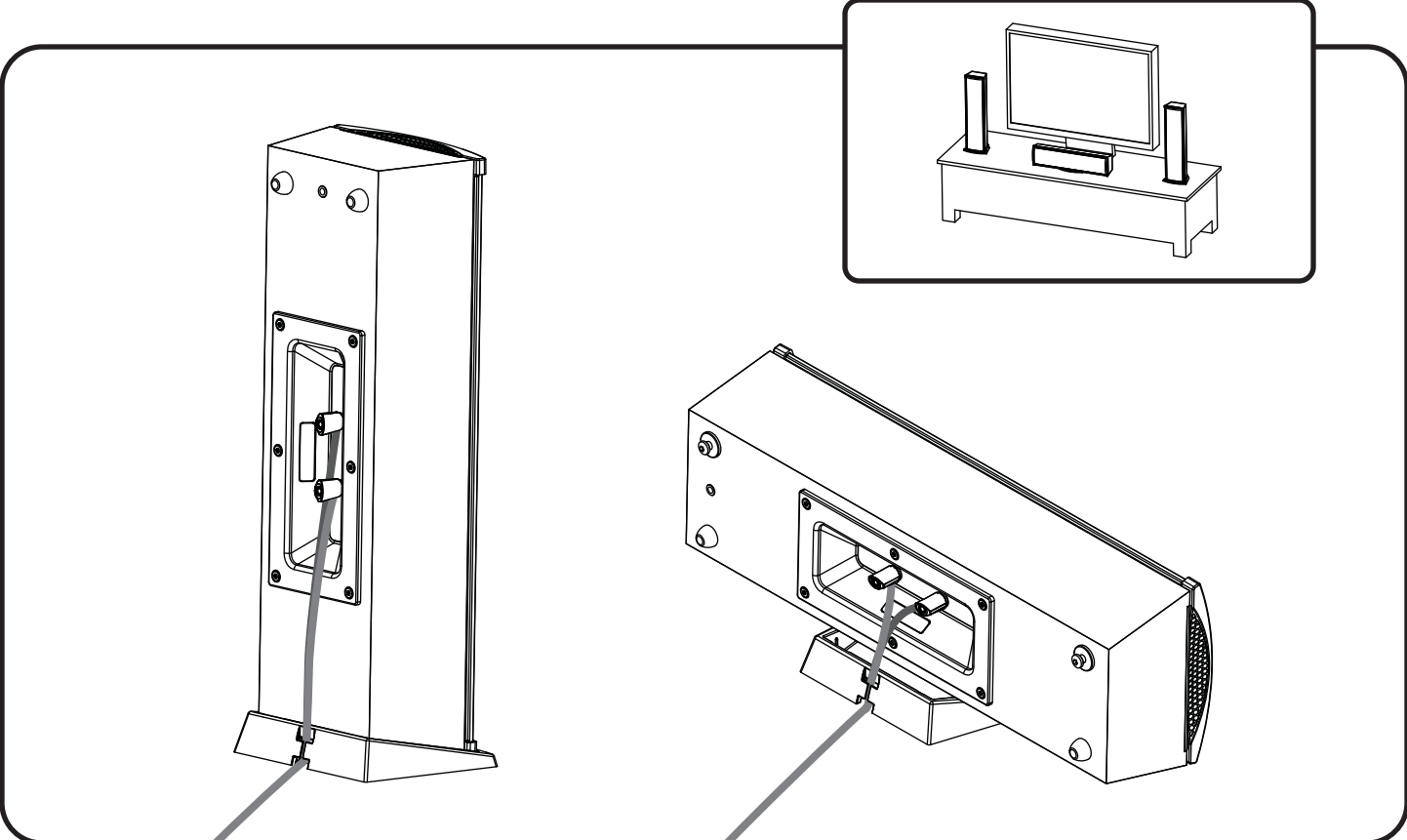
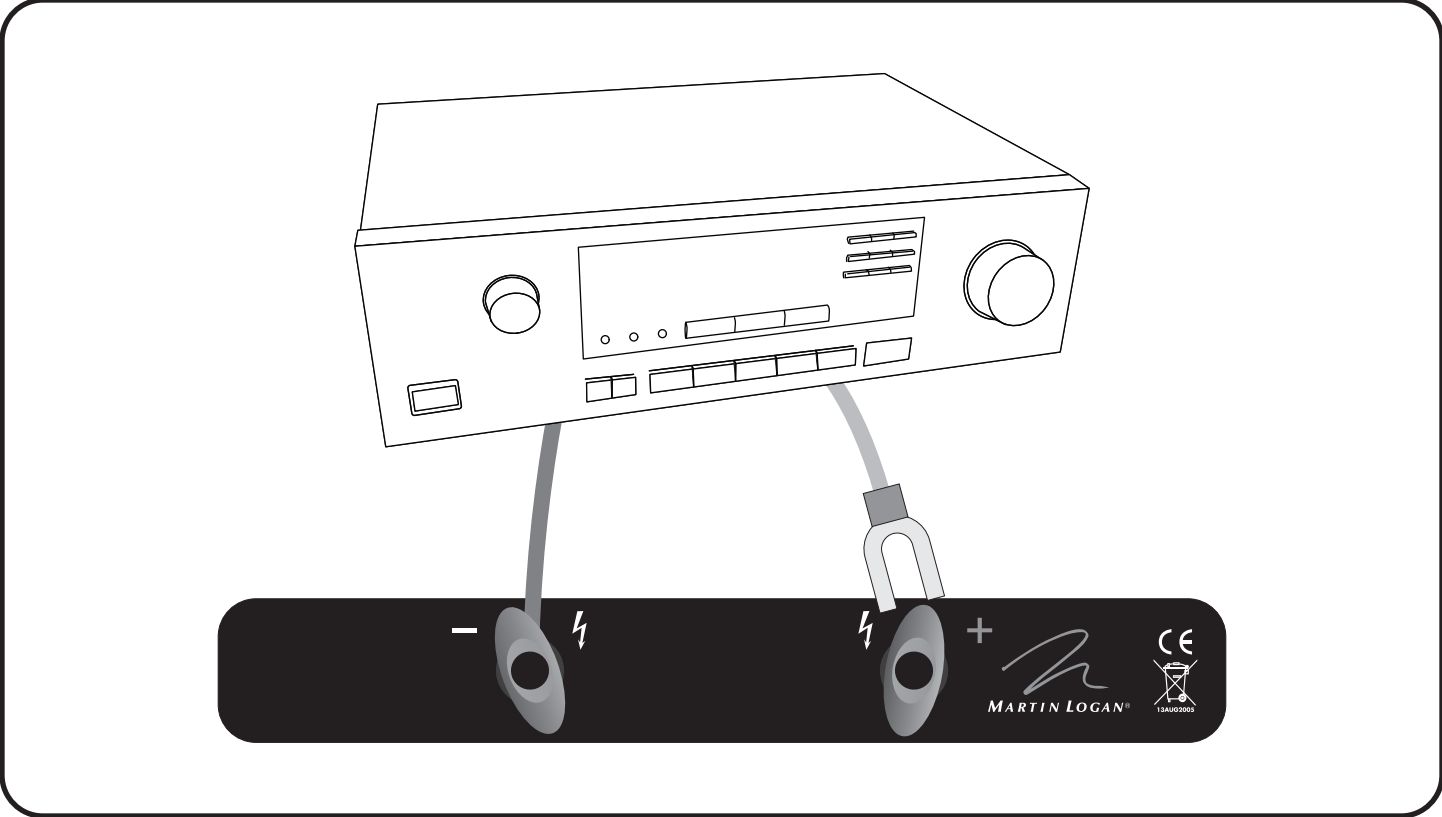
13AUG2005

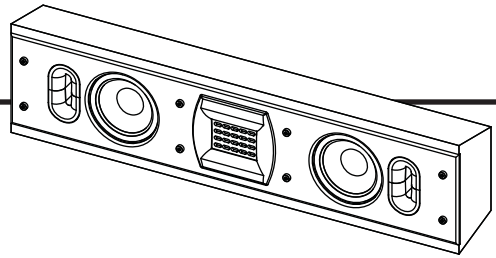




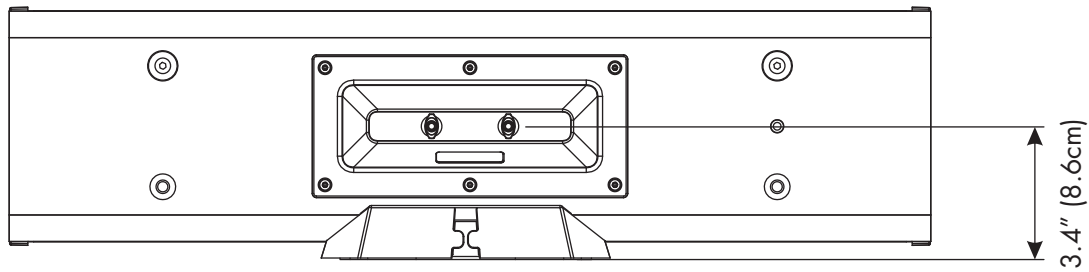
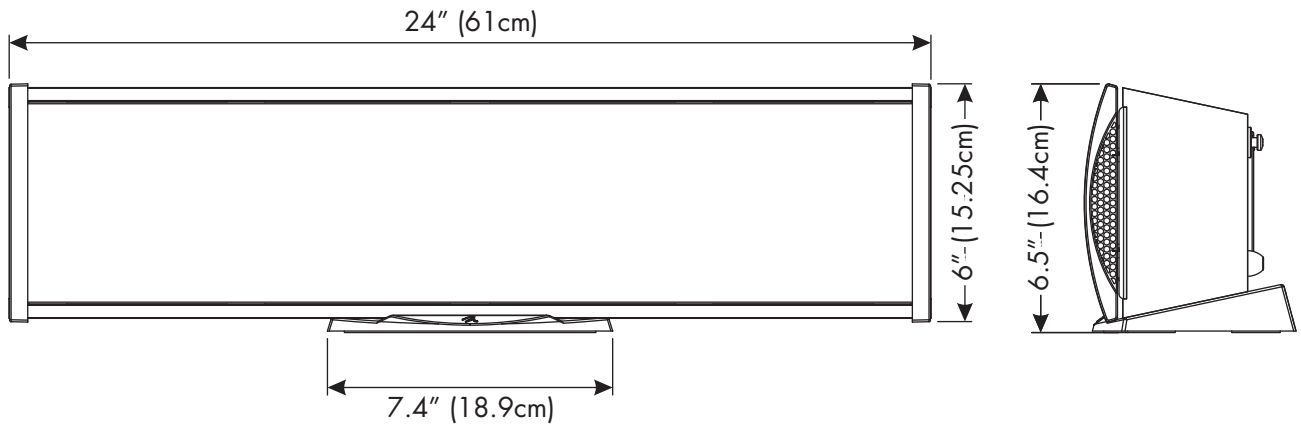
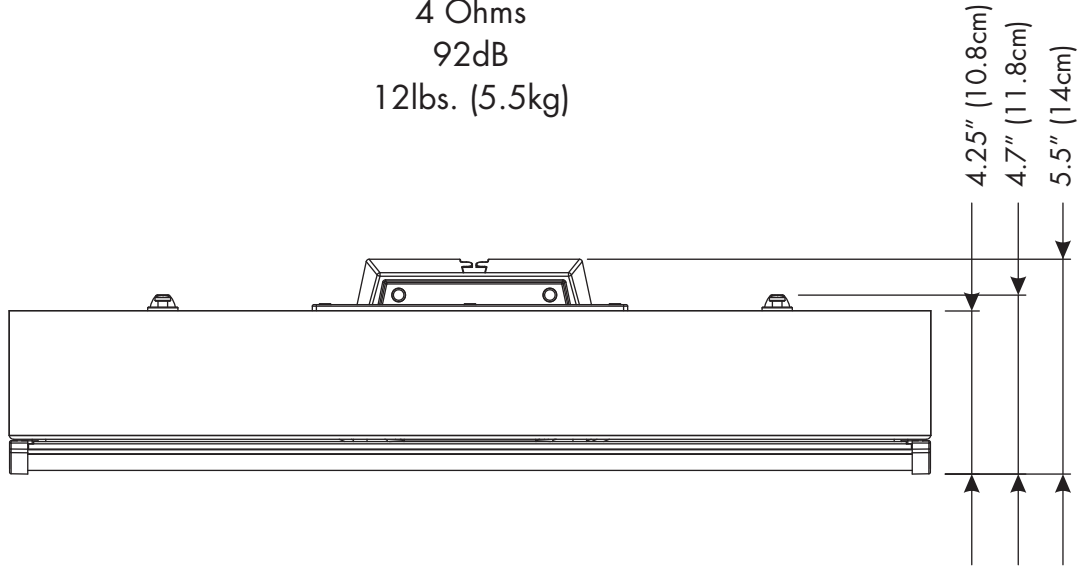








70Hz-20kHz  $\pm$  3dB  
< 100 watts  
4 Ohms  
92dB  
12lbs. (5.5kg)





**MARTIN LOGAN**

DESIGN SERIES

©2008 MartinLogan, Ltd. All rights reserved.  
Rev. #111108